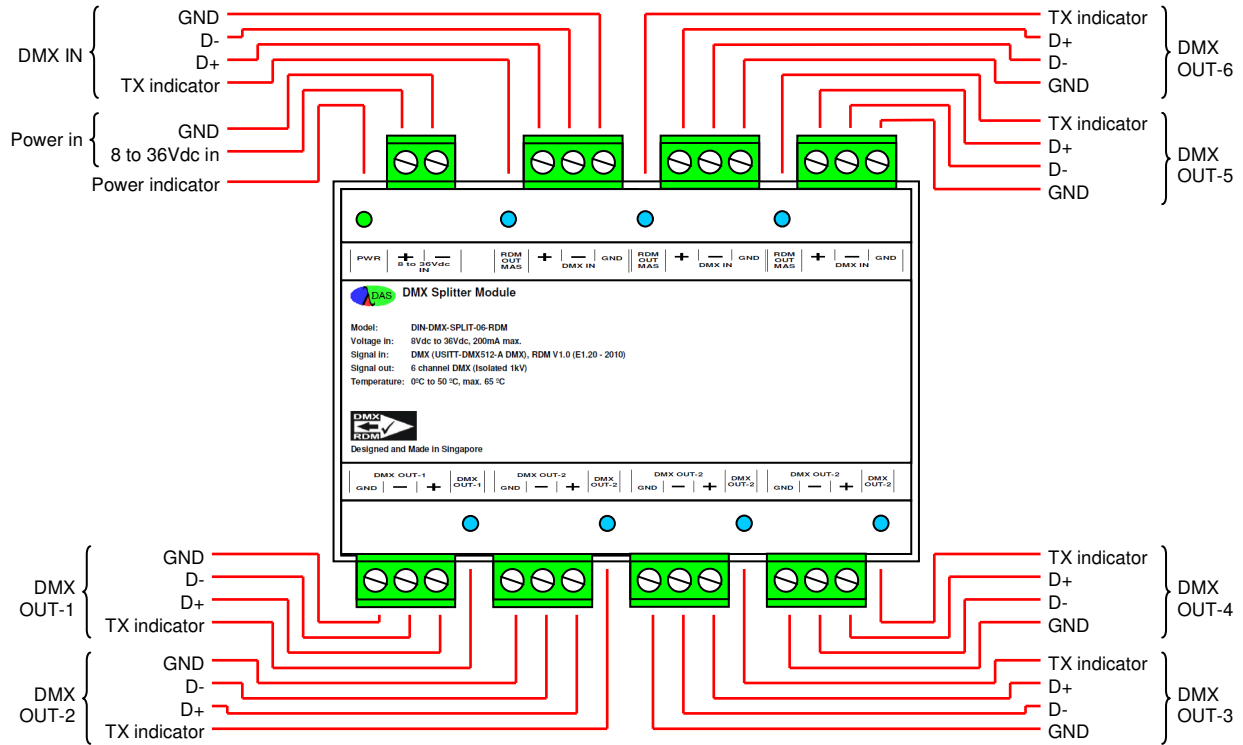


DMX splitter module – 6 channel output

Key Features:

- Comply with USITT-DMX512-A DMX protocol standard
- RDM communication support available as transparent in-line device (for model DIN-DMX-SPLIT-xx-RDM only)
- Full electrically isolated between DC Power input, DMX input and DMX output up to 1kV
- Extend the capability of driving DMX devices
- LED indicator for output DMX signal activity
- Wide input voltage from 8Vdc to 36Vdc
- Available in Din-rail mounted module

Overview:

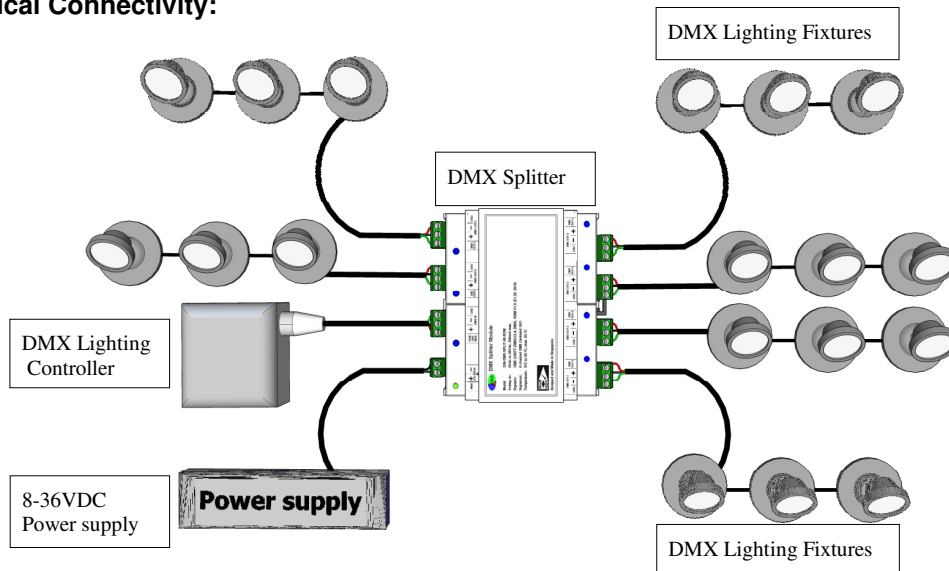


Terminal	Description
Power In (GND, 8 to 36Vdc in)	Input terminal Input voltage to power this module. 8Vdc to 36Vdc, 100mA max.
DMX IN (GND, D-, D+)	Input terminal (Bi-directional for RDM model only) DMX signal input from DMX Lighting Controller
DMX OUT 1, 2, 3, 4, 5 & 6 (GND, D-, D+)	Output terminal (Bi-directional for RDM model only) DMX signal output to DMX devices

Indicator / Switch	Description
Power Indicator (Green)	On - the module is powered and in operation Off - no power and module is off
TX indicator – DMX OUT 1, 2, 3, 4, 5 & 6 (Blue)	Constant on - module sending DMX packet Off - no transmission
TX indicator – DMX IN (Blue)	RDM model only Constant on - module sending RDM DMX packet to master Off - no transmission

DMX splitter module – 6 channel output

Typical Connectivity:



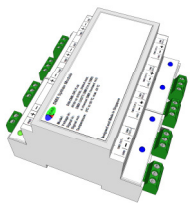
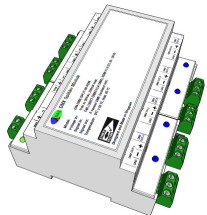
Specification:

Interface:	2 x screw terminal for Power in (12 – 22 AWG) 3 x screw terminal for DMX IN interface (12 – 22 AWG) 3 x screw terminal each for DMX OUT1, 2, 3, 4, 5 & 6 interface (12 – 22 AWG)
Indicator:	1 x Green LED for power indicator 6 x blue LED for TX activity to DMX OUT1, 2, 3, 4, 5 & 6 respectively 1 x blue LED for TX activity to RDM OUT MAS (RDM Model only)
General:	Operating temperature range from 0°C to 50°C, with a maximum temperature of 65°C Cooling by free air convection
Voltage:	8Vdc to 36Vdc @ 200mA max.

Mechanical Specification:

Size:	106mm (L) x 106mm (W) x 58mm (H), 6 DIN Module
Weight:	approx. 185 g
Mounting:	DIN Rail mounting – 35mm

Model List:

Model No:	Description
 DIN-DMX-SPLIT-06	DMX Splitter Module (non-RDM) <ul style="list-style-type: none"> - Full electrically isolated between DC Power input, DMX input and DMX output up to 1kV - Extend the capability of driving DMX devices - 6 channel DMX output - Din Rail mounted module - IP10
 DIN-DMX-SPLIT-06-RDM	DMX Splitter Module (RDM) <ul style="list-style-type: none"> - Full electrically isolated between DC Power input, DMX input and DMX output up to 1kV - As transparent in-line device in RDM configuration - Extend the capability of driving DMX devices - 6 channel DMX output - Din Rail mounted module - IP10